



Rental Power

> Case History

Moser Baer India Ltd., Greater Noida, U.P., India

Our energy working for you.™



Where:

Moser Baer India Ltd., Greater Noida, U.P., India

What:

Five synchronized rental gensets to meet back-up power demand

Purpose:

Gensets for a stipulated time period to bridge the demand supply gap owing to the expansion of the Greater Noida plant.

Primary choice factors:

Uninterrupted, reliable and guaranteed power, with desired uptime and fuel efficiency, under 85% load factor on continuous basis.

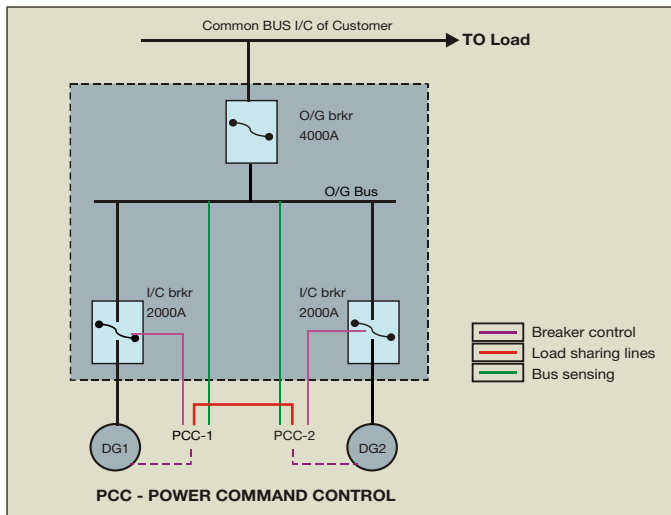
Rental Power solution of Cummins Power Generation meets Moser Baer's rising power demand besides making up for an out-of-order genset at the Greater Noida plant.

U.P., INDIA - Moser Baer is a world leader in the development and manufacture of removable data storage media. Incorporated in 1983, the Company is today one of India's leading technology companies and ranks among the top three optical storage media manufacturers in the world. Headquartered in New Delhi, India, it has a broad and robust product range of floppy disks, Compact Discs (CDs) and Digital Versatile Discs (DVDs). With a strong focus on R&D, the Company services the requirements of all leading storage brands in the world.

A pioneer among globalizing Indian firms, Moser Baer has a presence in over 82 countries, serviced through six marketing offices in India, the US and Europe, and enjoys strong tie-ups with all major global technology brands.

Solution for short and long-term power needs

In the summer of year 2004 and 2005, Moser Baer was in pressing need of a service provider who could offer power for a stipulated time period at its Noida Phase II plant. Gensets were required on a temporary basis to help the plant tide over the peak summer months.



Single Line Diagram of the system



1250 kVA installation at Moser Baer's Photo Voltaic plant

During both instances, Rental Power of Cummins Power Generation (CPG) provided a suitable power solution and installed a 1250 kVA rental genset to make up for the demand-supply gap at the Company's plant.

One year later, in 2006, additional Power was required at the Greater Noida plant of Moser Baer to cater the expansion project. Rental Power was contacted once again owing to the Company's previous association with CPG. Two 1250 kVA gensets were deployed at Moser Baer's main plant for backup power requirement.

To the customer's delight, the state-of-the-art features of Cummins' PowerCommand® Controls synchronized gensets virtually within no time. In addition, the modular design of the gensets helped save the extra space that would otherwise be required to place a synchronization panel which in case of Cummins gensets are already built into the system.

Following this experience, Moser Baer placed a repeat order on CPG for their Photo Voltaic (PV) plant at Greater Noida - two 1250 kVA synchronized gensets for a period of four months. In July 2007, one particular genset at Moser Baer's captive power plant gave way. An inspection determined that the genset's engine needed major repairing. Recognizing the criticality of the situation, above gensets were put to operate in base load mode. The gensets successfully demonstrated their capability by delivering continuous uninterrupted power for months.

More recently, in September 2007, owing to rising load

demand and taking advantage of the modular design of the gensets, a fifth 1250 kVA genset was engaged into the existing system.

The consistent service and superior product performance demonstrated by CPG's Rental Power team during all these instances made Moser Baer renew the contracts twice for four of the five 1250 kVA gensets. The earlier installed four gensets have already completed one year of service. The gensets which were initially installed for providing backup power are now running on base load and playing an active role in the expansion of the plant.

"We are happy with the performance of your installed gensets of 1250 kVA and service support is strong and appreciable."

*- Manish Tayal
Design - AGM Projects & Utilities*

The Cummins advantage

Unmatched product design using Cummins' state-of-the-art technology, coupled with the largest customer support network in the Country, ensures SINGLE SOURCE POWER ASSURANCE to our customers. Little wonder then, that for over four decades Cummins has been a leading player in power generation technology in India.

Cummins Power Generation is a world leader in the design and manufacture of power generation solutions for a wide variety of standby and prime power applications. For further information on on-site distributed generation of power, contact your local Cummins dealer.

Cummins India Limited

Power Generation Business Unit
35A/1/2, Erandawana,
Pune 411 038 - India
Tel. : (91) 020-6602 7525
Fax : (91) 020-6602 8090

Our energy working for you.™

www.cumminsindia.com

© 2006 | Cummins Power Generation
PGBU/CIL/001/CH(Moser Baer)/VW/November 2007/500

